

aurum⁺ bariatric bed

SWL
490KG/
77ST

The aurum⁺ bariatric bed has been specifically designed for size, strength and practicality, powered by strong electric actuators, it can support patients up to 440kg (69st). The width adjustment feature allows the bed to be used at 3 different widths 36", 42" and 48".



Featuring the most accurate integral scales on the bariatric market



- 490kg (77st) SWL
- 440kg (69st) max patient weight
- Width adjustable mattress platform 92cm - 122cm (36" - 48")
- Innovative patented stowable safety rails*
- Fully articulating bed
- Central braking system
- Optional integral scales for accurate weighing with graduations to 100g
- Adjustable head and foot boards
- Carer and patient control with lock-out function
- Emergency CPR and Trendelenburg functions
- Mattress options available

EN 60601-2-52:2015 compliant

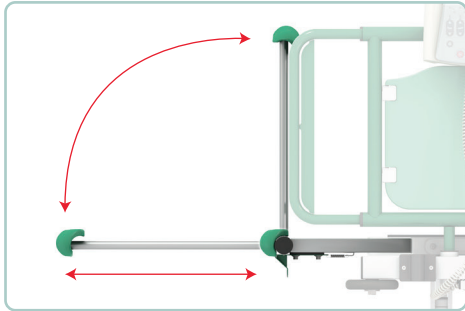


Integral weighing scales with touch screen display

The four section, fully profiling mattress platform is fully articulating and features innovative stowable safety rails which can be retracted and stowed within the bed frame, providing greater ease when transferring a patient and easier access for a nurse to treat a patient.

There are two handset controllers included on the bed, one for the carer and one for the patient. A lock out feature on both handsets is able to restrict a patient's control of the bed's functions.

An emergency CPR feature reduces the time taken to move patients to emergency positions.



Innovative stowable safety rails



Width adjustable mattress platform



Large range of mattress options available

features	benefits
Adjustable mattress platform 920mm (36") to 1220mm (48")	Easy transportation and greater versatility
490kg (77st) SWL	Can be used with even the largest of patients
Up to 150mm (6") length extension	Caters for taller patients
Full electric operation	Greatly reduces risk of injury to carer
Stowable safety rails	Greater access treating a patient
Emergency backup battery	Bed can be used in the event of a mains power failure
Removable head and foot boards	Greater access to patient, easier storage, easy cleaning
Carer control with lock-out function	Carers can restrict patient control on the beds functions
Epoxy coated finish	Easier cleaning, greater infection control
Emergency CPR and Trendelenburg	Reduces time taken to move patient to emergency positions
Manual CPR on both sides of the bed	Greater access for carers during an emergency
Central braking system	Brakes can be accessed from either side of the bed
Integrated touch screen scales	For accurate patient weighing with graduations to 100g
Bed exit alarm	Alerts carers when a patient has exited the bed