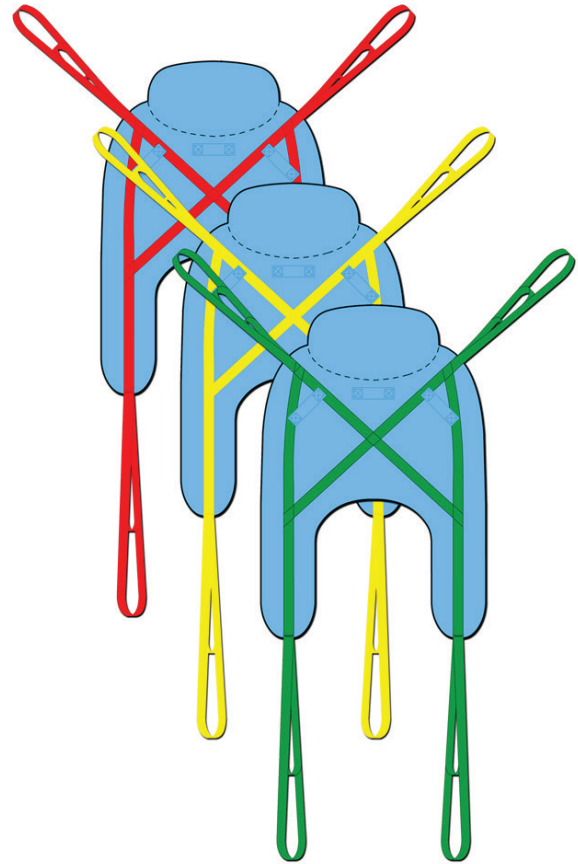


pro-loop

patient specific slings

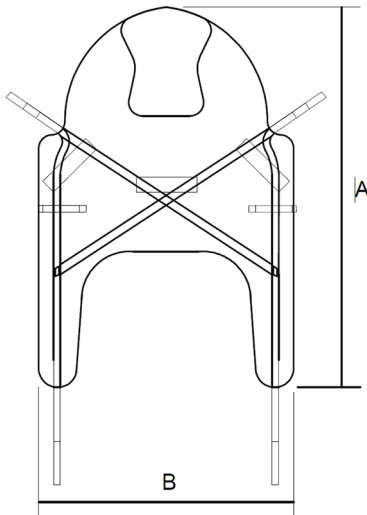
The pro-loop disposable sling has been developed to provide a low cost, effective patient handling solution to the increasing challenges of infection control. Available in a range of sizes, the pro-loop is designed to be issued for single patient use only and to be disposed of when soiled or no longer required.

The pro-loop sling incorporates a head support for increased comfort and is designed to be used with any hoist which uses a standard loop attachment spreader bar.



features

Patient specific	Infection control maximised
Loop fixing	Can be used with any hook and loop spreader bar
Low cost	Laundry costs eliminated
230kg/36st safe working load	Able to be used with heavier patients



<u>product code</u>	<u>size</u>	<u>strap colour</u>
BMS089	extra small	brown
BMS090	small	red
BMS091	medium	yellow
BMS092	large	green
BMS092XL	extra large	grey