



deprimo®

Floor level bed

Quick Reference Guide
with Trouble Shooting

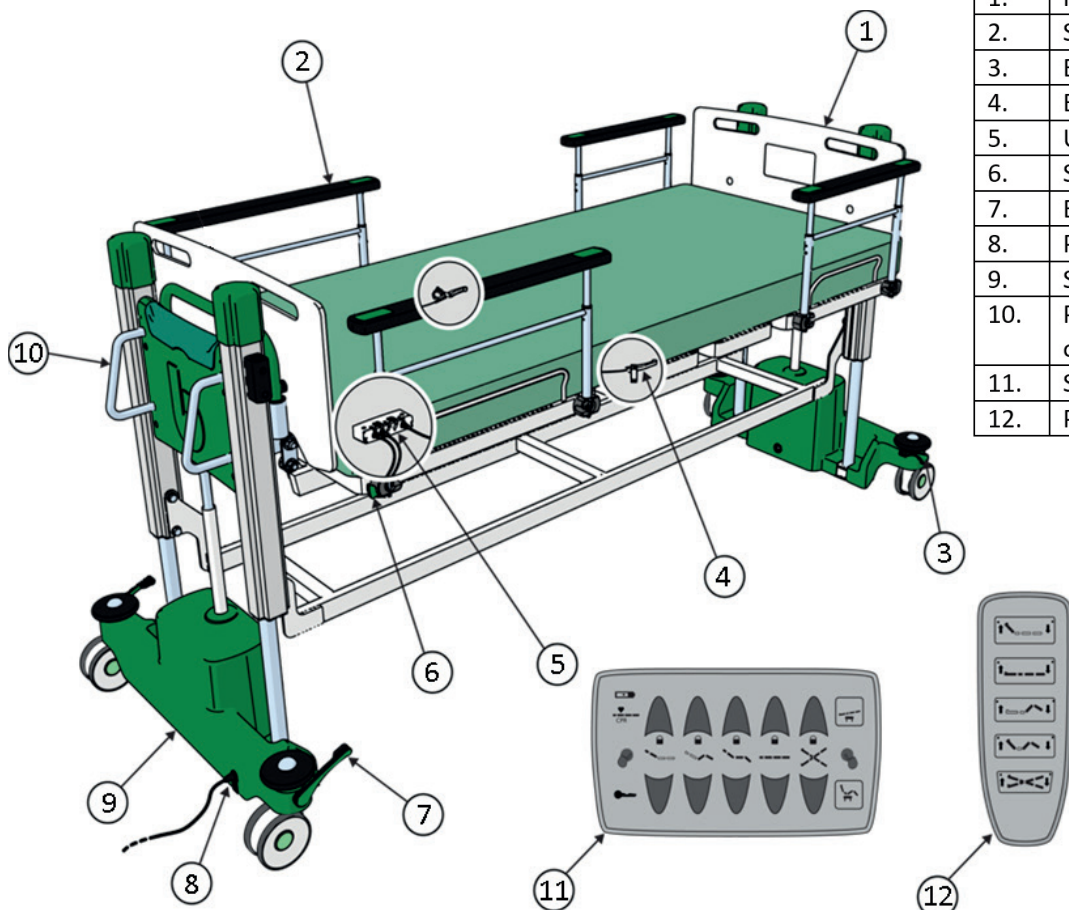
IMPORTANT!

This quick reference guide does not replace the bed's user manual, which can be provided by visiting www.benmormedical.co.uk or contacting us on 0333 800 9000.

Safety Instructions

Before using the bed, it is recommended: -

- All staff involved are familiar with the User Manual.
- All functions are tested.
- The bed is decontaminated and cleaned thoroughly before every use.
- The bed must be operated by personnel who have been properly trained or have suitable experience with equipment of this nature.
- The bed must only be used on clean, hard and flat horizontal surfaces.
- Never exceed the maximum load capacity of the bed, even for brief periods.
- Check there is no risk for the patient, carer, other people or accessories to become trapped when adjusting any sections, activating, raising or lowering of the bed.
- **Safe working load: 250kg (39 stone)**
Maximum Patient Weight: 190kg (29 stone)
- For side ingress / egress, position the patient in the middle of the bed.
- **DO NOT** ingress / egress the bed at the head or foot end.
- The power cable for the bed must be unplugged before moving, cleaning or maintenance activities.



Key	
1.	Removable Headboard / Footboard
2.	Safety Rail
3.	Brake Pedal - Foot End
4.	Backrest Override Lever
5.	User Handset Dock
6.	Safety Rail Lock
7.	Brake Pedal / Steering Pedal - Head end
8.	Power Cable
9.	Serial Number Location
10.	Pushing Handle - Located at either end of bed
11.	Supervisor Control Panel
12.	Patient Handset

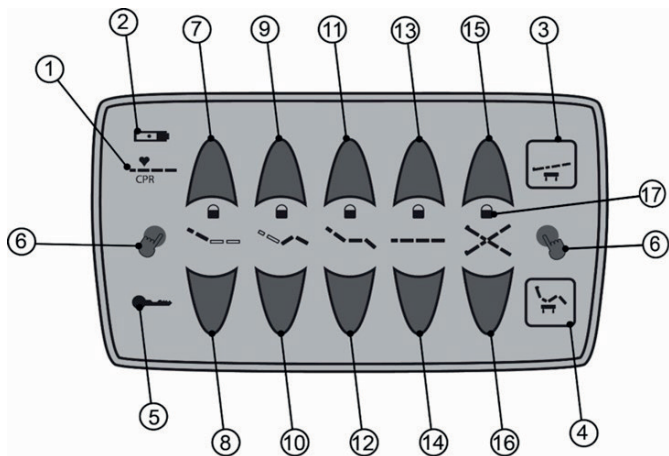
Note: The above illustration is for reference purposes only. The specification of your actual Deprimo Floor Level Bed may vary to the above illustration.

Operating the Control Units



Before carrying out these operations, check there are no objects on or under the lower frame which could interfere with the bed movement. This function can be locked out by means of the Supervisor Control Panel.

Supervisor Control Unit



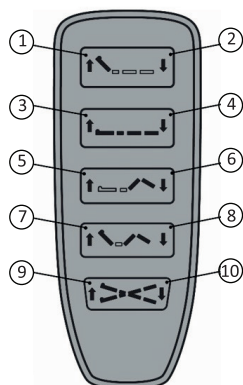
To activate handset ensure that either of Activation buttons are depressed.

Key to Supervisor Handset

1.	Cardio Pulmonary Resuscitation (CPR) (One Button Operation)
2.	Battery Charge Indicator
3.	Trendelenburg Anti-Shock Positioning (One Button Operation)
4.	Chair Position (One Button Operation)
5.	Patient Handset Function Lockout Facility – Master
6.	Activation Button
7.	Backrest up
8.	Backrest down
9.	Knee Break Up
10.	Knee Break Down
11.	Simultaneous Backrest and Knee Break Up
12.	Simultaneous Backrest and Knee Break Down
13.	Raise Platform
14.	Lower Platform
15.	Foot Down Tilt (Reverse Trendelenburg)
16.	Head Down Tilt (Trendelenburg)
17.	Patient Handset Function Lockout Facility

Patient Handset

The Patient Handset is connected by a flexible cable and can be positioned either side of the bed.



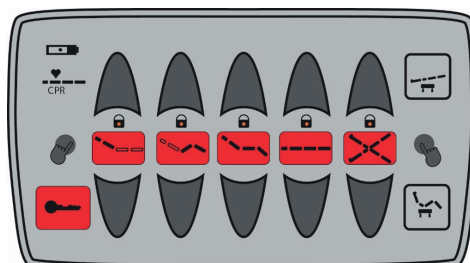
Key to Patient Handset

1.	Backrest up
2.	Backrest down
3.	Raise Platform
4.	Lower Platform
5.	Knee Break Up
6.	Knee Break Down
7.	Simultaneous Backrest and Knee Break Up
8.	Simultaneous Backrest and Knee Break Down
9.	Foot Down Tilt (Reverse Trendelenburg)
10.	Head Down Tilt (Trendelenburg)

Locking Procedure



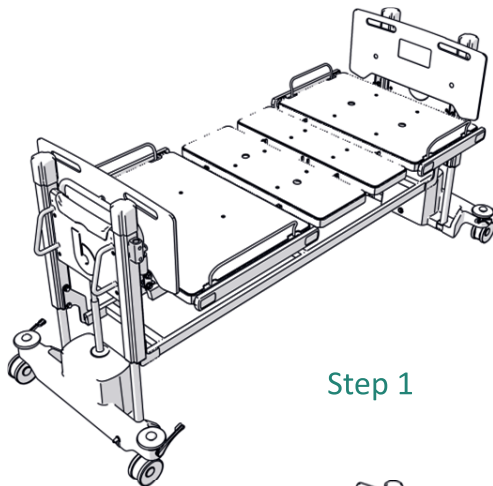
The supervisor control unit provides the ability to lock out any or all functionality from the patient handset, preventing unwanted action being performed.



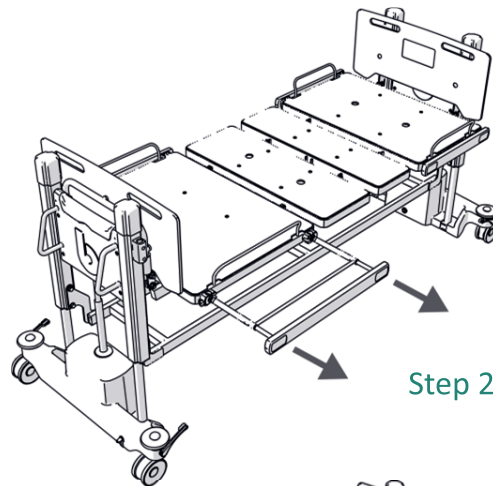
To lock out a function simultaneously press and hold the patient handset function lockout facility button - master (item 5) and the patient handset function that you wish to lockout. A light will illuminate to indicate this function is now locked.

Stowable Safety Rails

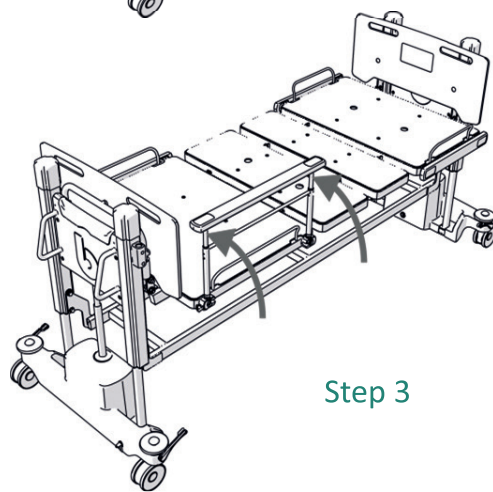
The bed has 4 stowable safety rails allowing the user to store the safety rails within the bed frame.



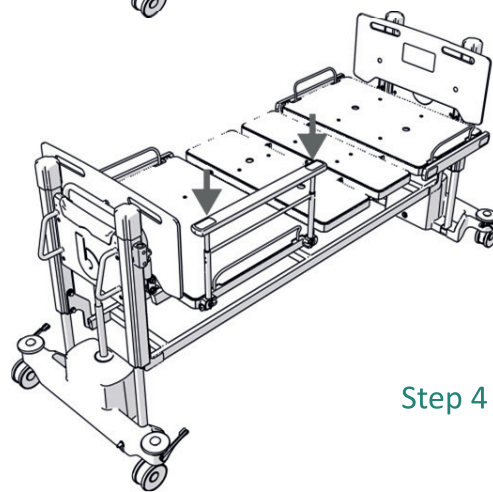
Step 1



Step 2



Step 3

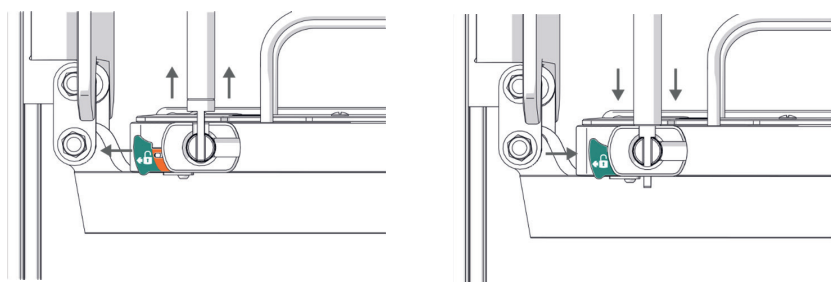


Step 4

To Position Stowable Safety Rail in upright position

1. Pull the Stowable Safety Rail out fully from the frame, towards you
2. Rotate the Stowable Safety Rail 90° upward
3. Let the Stowable Safety Rail drop into position, where it will automatically lock in position
4. Repeat action in reverse to stow the safety rail

Locking/Unlocking the Safety Rails



To collapse the safety rail, first pull on the catch in the lock mechanism and lift the safety rail to disengage.



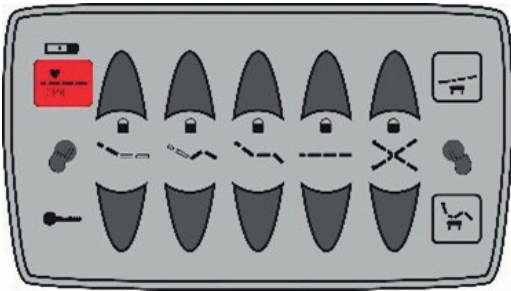
The Stowable Safety Rails shall not be used as support or leverage for the patient, when leaving or repositioning on the bed.



When pulling the safety rail out in the horizontal position, ensure it is pulled out fully before raising vertically.

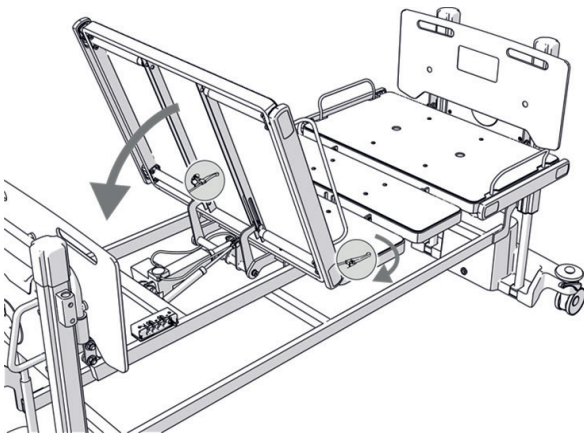
Cardio Pulmonary Resuscitation (CPR)

Electronic CPR



The supervisor control panel provides a one button solution for positioning the bed in a way suitable for Cardio Pulmonary Resuscitation (CPR). This function cannot be carried out on the patient handset. To activate the CPR function press and hold the CPR button.

Manual CPR



In case of an emergency when the backrest needs to be lowered quickly, the bed provides a handle that overrides the beds electronics and allows the backrest to return to its flat position in a controlled manner. The handle is located in the centre of the bed on both sides. To drop the backrest quickly, squeeze the handle until the backrest is flat. Letting go of the handle when the backrest is falling will cause the backrest to stop falling, and may cause damage to the actuator.

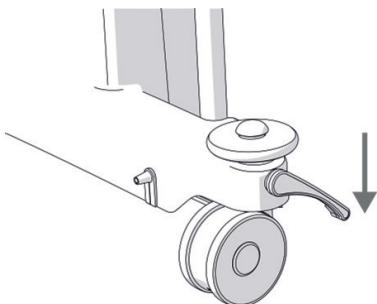


Manual CPR should only be operated in an emergency. The manual release will lower the back rest at speed.



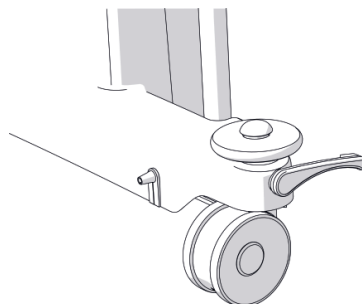
Before using Manual CPR please ensure staff and carers are at a safe distance from the head end of the bed frame to eliminate risk of entrapment.

Dual Braking Lever



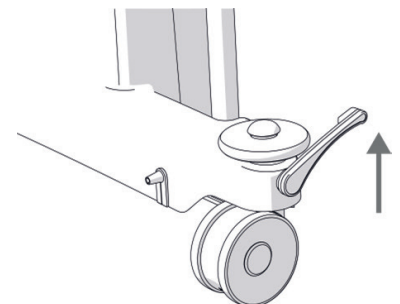
Down - Brakes On

Two castors are fixed



Centre - Neutral - Brakes Off

Castors move freely in all directions



Up - Steering Lock On

Two castors are fixed for easy steering



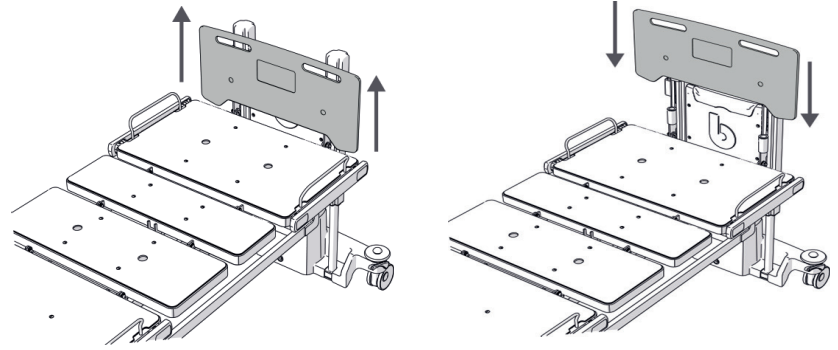
Brake lever is located at both ends of the bed.

Ensure both levers are in the same position before moving.

Operating Instructions & Accessories

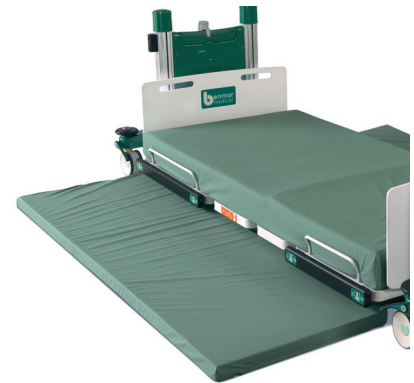
Removing the Head Board

To remove a headboard, ensure there are no obstructions and that the handset is safely located on another part of the bed. Lift from the two upper handles and the headboard will be removed from its location sockets.



Accessories

DESCRIPTION	PRODUCT CODE
Medium Risk Foam Mattress	BMPBFMD
Crash Mat (no fold)	BMPBCM



Note: When attaching the foam mattress to the Deprimo® bed platform, please ensure the straps are fully secure before use.

Other products available from Benmor Medical



Bariatric Beds

- width expandable • dual braking systems
- integral weighing systems • stowable safety rails



Hoists

- gantry hoists • mobile hoists
- hoist attachments



Floor Level Beds

- ultra low height • stowable safety rails
- fully articulating • mattress options available



Scales

- bed scales • hoist scales
- wheelchair scales • patient scales



Pressure Care Surfaces

- foam mattress • air mattress
- turning mattress • air cushions



Moving and Handling

- standing aids • walking aids
- slidesheets



Seating

- riser/recliner • static
- high dependency chairs



Lifting and Supporting

- patient slings • standing aids
- repositioning aids



Toileting

- bariatric commodes • extra large commodes
- transfer chairs • shower chairs



Wheelchairs

- bariatric wheelchairs • folding wheelchairs
- wheelchair power pack

Troubleshooting - Deprimo Floor Level Bed



Operating issues that may arise can usually be solved by following these simple steps: -

PROBLEM	POSSIBLE CAUSE	SOLUTION
None of the electric operating system is functioning	<ul style="list-style-type: none"> > Mains power supply failure > Control box or Supervisor Control Panel are in locked or off position > Loose electrical connections > Electrical unit failure 	<ul style="list-style-type: none"> > Is the power lead plugged in and switched on? > Check that the orange power light on the Handset is on > Switch the keys into the open position > Check all connections between the actuators and the control unit > Contact your technical service provider
Any individual electric functions are not responding	<ul style="list-style-type: none"> > Loose electrical connections > Unit failure 	<ul style="list-style-type: none"> > Check the individual connections to the control unit > Contact your technical service provider
Bed is vibrating		<ul style="list-style-type: none"> > Contact your technical service provider
Castor(s)	<ul style="list-style-type: none"> > The castor brake system may be worn 	<ul style="list-style-type: none"> > Change castor – contact your technical service provider
The castor(s) do not swivel correctly	<ul style="list-style-type: none"> > The castors may be dirty 	<ul style="list-style-type: none"> > Clean the castors



Note: If any function of the bed becomes compromising or dangerous to the patient in any way, discontinue use immediately and report to your service provider.



Never try to repair an electrical fault if you are unqualified or have not been officially trained by Benmor Medical.



Do not attempt to open any of the electrical control boxes. You may get an electric shock. This will also invalidate your warranty.



If the above solutions do not solve the issue, please call our 24/7 customer support helpline on 0333 800 9000 to speak to an expert technician*

*Please note - if a technician is called out to solve a fault and discovers no issue with the equipment a call-out fee may be applied. Any faults caused by user damage may also result in additional costs. To discuss these costs or if you have any questions, please contact our team by phone or via email info@benmormedical.co.uk.

- Innovative products & services
- Expert advice
- Highest levels of product conformity
- Design and manufactured products in the UK
- CPD certified training courses
- UK nationwide rental coverage 24/7
- Training and installation
- Patient assessments



HEAD OFFICE

The Aurum Centre
Ham Barn Business Park
Farnham Road
Liss
Hampshire
GU33 6LB

SOUTH WEST BRANCH

The Iridium Centre
Unit B
7A4 Victoria Road
Avonmouth
BS11 9DB

NORTH WEST BRANCH

The Caurum Centre
Unit 6 Crossville Building
Flint Trade Park
Holywell Road
Flint
CH6 5RR

MIDLANDS BRANCH

The Argentum Centre
Welland Business Park
Valley Way
Market Harborough
Leicestershire
LE16 7PS

NORTH EAST BRANCH

The Aereus Centre
Rainton Bridge Industrial Estate
Mercantile Road
Houghton-le-Spring
Tyne and Wear
DH4 5PH



Tel: 0333 800 9000
www.benmormedical.co.uk
info@benmormedical.co.uk

supporting bariatric care



BS EN 13485:2016 - MD 607484
CE607483



ISO 9001:2015 - FM 607485